

## Cylinder-Operated Flushbolt

### For Hollow Metal Doors

## 1870HM Series

### Cylinder Backset

1-1/4" only.

### Cylinder Height

Standard length (cylinder center to door end) is 13-1/2". Other lengths available on special order.

### Function

Designed for use instead of conventional flip-lever operated flushbolts, the 1870HM gives building management key control of the inactive leaf of paired doors. Prevents casual locking of the inactive leaf by children or other unauthorized persons. Uses same basic overcenter action mechanism as MS® pivoted bolt locks. Recommended for installation at both top and bottom of inactive door with MS1850SN in active door for greatest security.

### Bolt

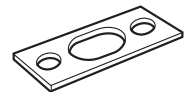
Hexagonal 3/8" flat to flat, with 11/16" throw. Made of stainless steel.

### Case

Steel with corrosion-resistant plating. 1" x 6" x 1-

### Strike

2-1/4" x 15/16" strike is supplied.



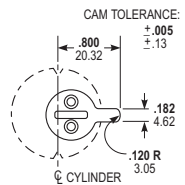
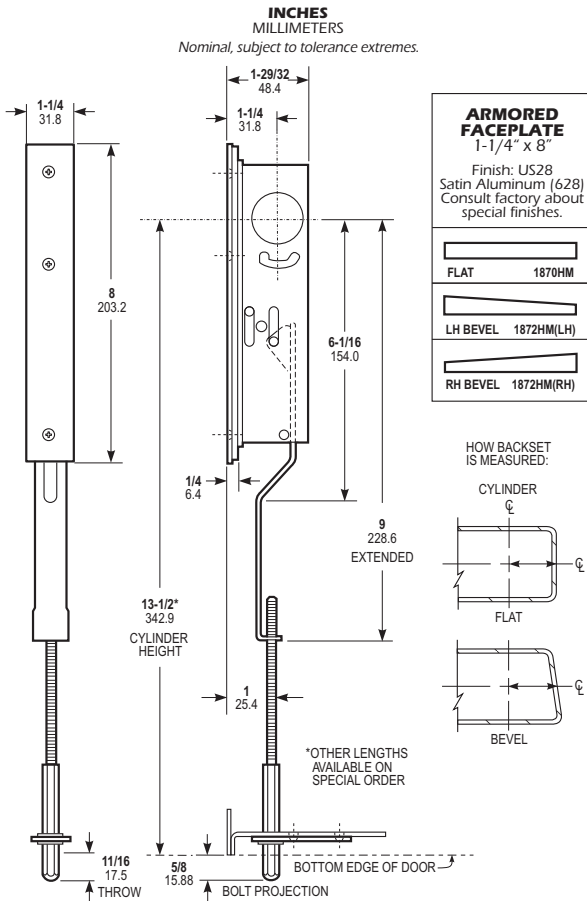
### Operation

360° turn of key throws or retracts hardened hex-section bolt. Key can be removed only when bolt is in a positively locked or unlocked position. Accepts any standard 1-5/32" mortise cylinder from either or both sides. Cylinder must have MS® cam. (See page SW-37.)



260 Santa Fe Street  
Pomona, California 91767  
(800) 872-3267 Fax:(800) 232-7329  
www.adamsrite.com

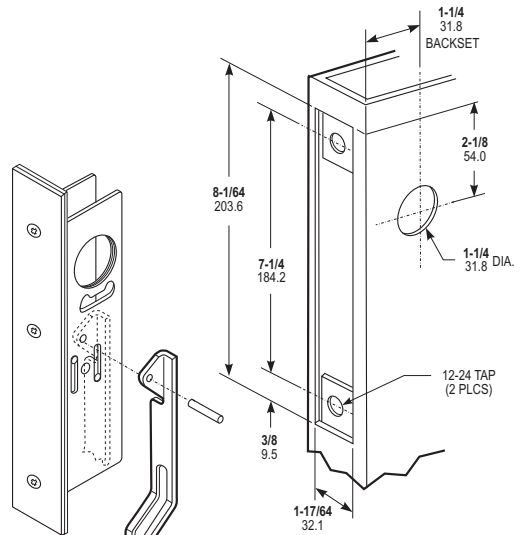
# For Hollow Metal Doors



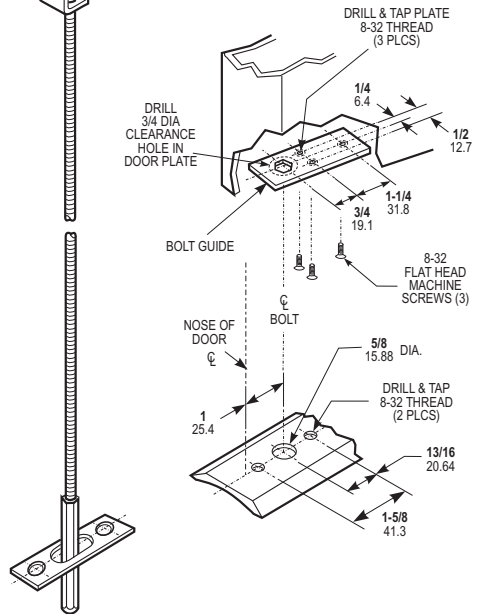
**Cylinder Cam**  
1870HM Series locks are operable by any standard 1-5/32" diameter mortise cylinder with special MS® cam dimensioned as shown. Cylinders with MS® cams can be readily obtained from most cylinder manufacturers. See page SW-37 for cylinder make and trimming information.

Specify quantity and the following information.  
Order related hardware separately.

Faceplate Shape	Handing	Finish
Flat	LH or RHR	Clear Anodized
Bevel	RH or LHR	Dark Bronze Anod.
	Non-Handed*	Black Anodized



**Door Preparation**  
FOR INSTALLATION LOCKING THRESHOLD  
INVERT FOR HEADER LOCKING



## 1870HM 5 - 628

\*Any flat or radius face  
©2011 ADAMS RITE MANUFACTURING CO.

Basic lock mechanism boxed with actuator arm attached, rod/bolt assembly unattached. Stainless steel bolt guide, mounting screws and installation instructions included. Cylinders available at extra cost. Shipping weight: 1-1/4 lbs.